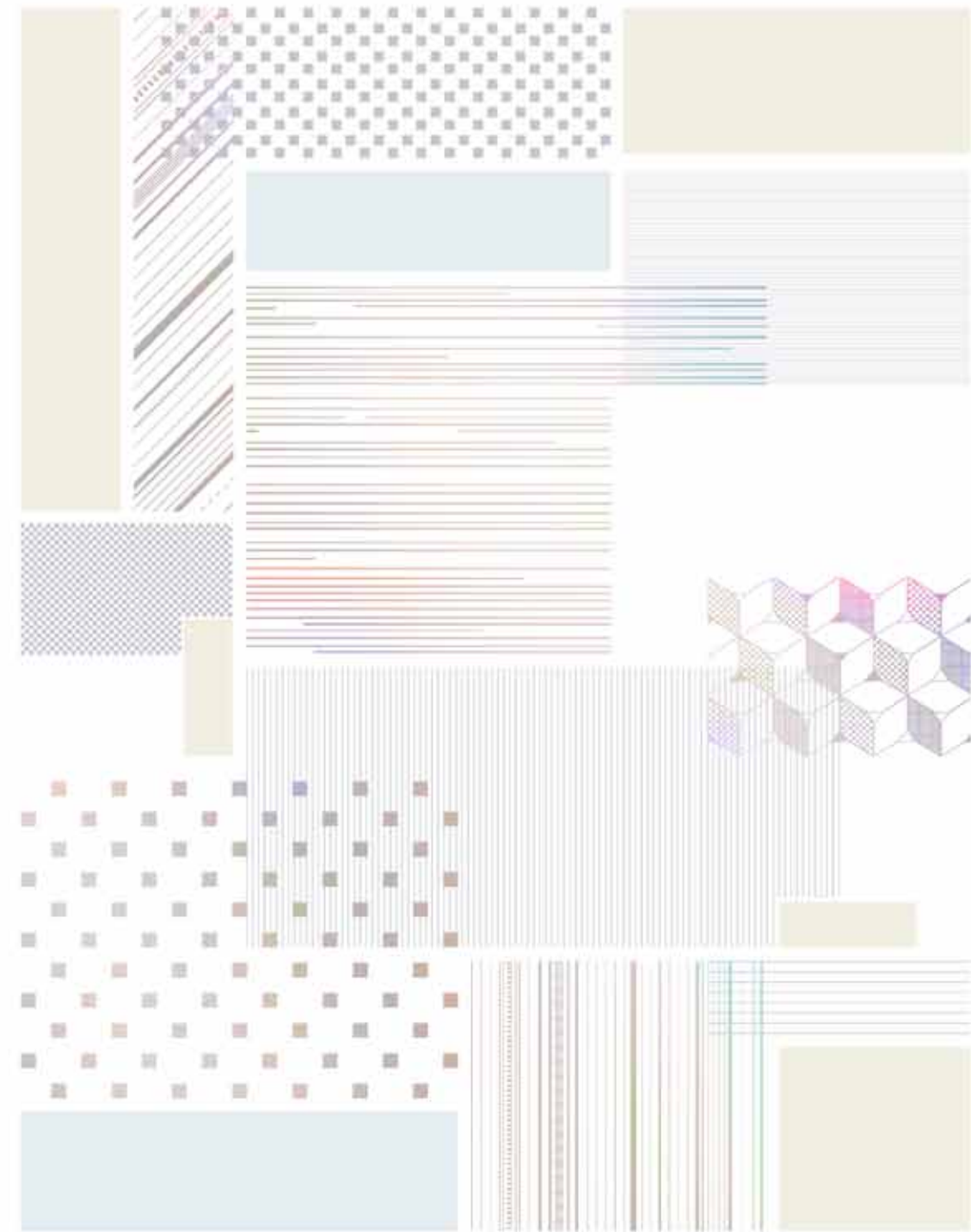


YZER I



YZER I



Hyundai Elevator sets a new benchmark, moving beyond yesterday's concept of value. Yesterday's value which defined an elevator as a machine connecting vertical space, is fading. Hyundai Elevator presents a new standard that makes people feel safe, comfortable, and happy in elevators.

An elevator for the people: The mission of YZER I



CONTENTS

- 03 Philosophy + New Technology
- 05 Philosophy + New Space

Key Features of YZER I

- 07 Ultra Slim LED Ceiling / Anti-Virus Handrail
- 08 Car Operating Panel / Indicator / Hall Button

Options of YZER I

- 09 Smart Indicator
- 10 IBS System (Card key) and Other Options

Cage Design of YZER I

- 11 Philosophy + New Design
- 13 YZER I - A
- 15 YZER I - B
- 17 YZER I - C
- 19 YZER I - D

Specifications of YZER I

- 21 Characteristics of a Machine Room Less System
- 22 Hoistway Plan and Section
- 23 Technical Data
- 24 Works to Be Done by Other Contractors
- 25 Network



A new standard of living and true concern for people **Bringing people and elevators closer**

Elevators that make people happy

Hyundai Elevator has raised these questions continuously should an elevator be perceived only as a means of transport? Are those convenience and attractive design should be prioritized?

An elevator that serves as a companion to people and reflects their needs: this is the new philosophy and technology embraced by Hyundai Elevator's YZER I.

Ultra Slim LED Ceiling Applied to All Products

All products are outfitted with an ultra slim LED ceiling (<50 mm), which provides roominess in both height and width inside the elevator.

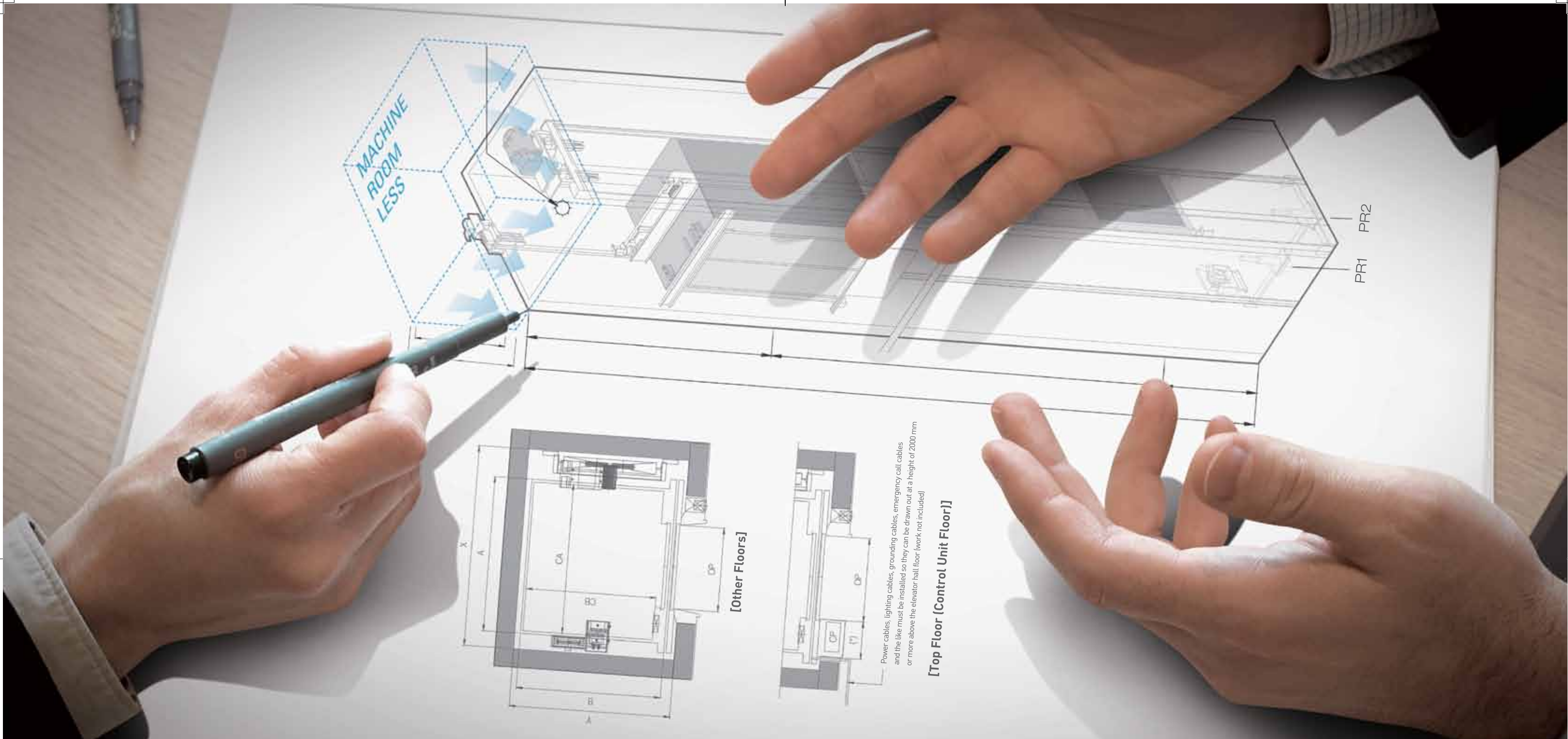


Smart Indicator (Optional)

An industry first, the Smart Indicator delivers a pleasant environment in any conditions by means of an anion double-clean system and ultrasonic pest-repellant function. Its LCD display with an integrated CCTV assures safer elevator operation.



* Optional items are sourced by S.KOREA.



More convenient, more comfortable Elevator that understands people

An elevator that values people and space

Efficient horizontal space that allows people to get on and off an elevator with ease, as well as a ceiling height that achieves a pleasing, soothing space: this is the philosophy of space embodied by Hyundai Elevator's YZER I.

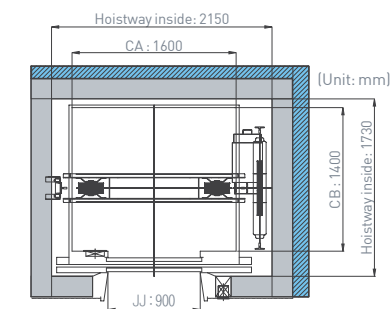
High-performance, eco-friendly traction machine

Built with technology developed at the company's R&D center in the Korean headquarters, the ultra-small YZER I traction machine delivers the world's highest standard of quality. As the essence of modern technology, it promises convenient maintenance by operating on an oil-free traction system that does not need regular oiling of its bearing unit.



Minimized hoistway size

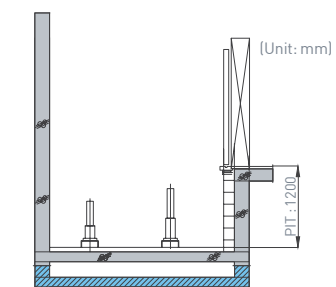
Minimized hoistway size and elimination of a machine room reduce construction costs and incidental expenses to the greatest extent thanks to a shortened construction schedule.



21% reduction in hoistway (1000kg capacity)
Compared with the Company's existing products

Minimized pit length (1200 mm)

Efficient pit space with a minimized length of 1200 mm has become possible through topside arrangement of the suspension structure.



300 mm reduction in length

YZER I
KEY FEATURES

LED CEILING



Ultra Slim LED Ceiling

Eco-friendly LED ceiling provides higher, roomier space and reduces eye fatigue.

Ultra Slim LED Ceiling (<50 mm) Applied to All Products

- Higher ceiling offers a more spacious and pleasant interior space.
- Reduced power consumption lowers maintenance costs and brighter interior space eases eye fatigue.



HANDRAIL



Anti-Virus Handrail (OPTIONAL)

Handrails are exposed to many germs through constant touching, but the use of antimicrobial materials protects users from harmful viruses.

Virus-Resistant Materials (OPTIONAL)

The safest, most convenient handrails employ the latest ergonomic design and motion analysis as well as antimicrobial materials.



Standard Handrail



CAR OPERATING PANEL / INDICATOR / HALL BUTTON

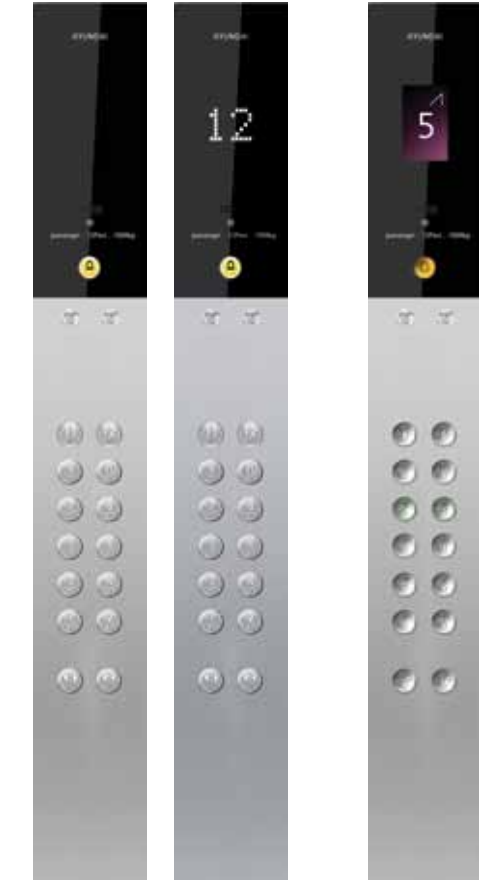


OPP-N364(Optional)

YZER I Family Look

A two-tone, black and silver color combination completes the Hyundai Elevator family-look. The operating panel, indicator, and hall button all share an open-type design, allowing for easier maintenance.

Car Operating Panel



OPP-N521 / OPP-D521

OPP-L564

Hall Button



HIP-DA64 HPB-A64 HIP-D621 HPB-621

Indicator



PI-D700

PI-D110

PI-D800

Button



21Type

64Type

* Optional items are sourced by S.KOREA.

YZER I
OPTIONS

SMART INDICATOR (OPTIONAL)



Time / Date Info Display

An LCD display improves user convenience by providing easy access to information such as date, time, and floor. It boasts a sophisticated design and dramatically enhanced readability.

IBS SYSTEM (CARD KEY)



BLACK BOX-TYPE CCTV/ MULTI-BEAM DOOR SAFETY DEVICE



Smart care for health

Double-clean system maintains clean air in the elevator

Double-Clean System Equipped with Air-Cleaning and Antiseptic Functions

An anion-generating Air Cleaner that works year-round and an indicator combines to produce an all-in-one design. Clean interior air quality is maintained through the complete elimination of undesirable active oxygen and germs.

Visual recognition of system operation is easy since Air-Clean, Anion, and Anti-Virus are displayed in sequence.



- Over 100,000 anions are released per 1 cc of air, keeping air clean and fresh at all times.
- More than 99% of harmful substances, including viruses, are removed (after four hours' operation).
- This system achieves eliminating malodorous substances.

Smart care for safety

Smart Indicator helps passengers to see safety functions with their own eyes.



CCTV Security Info Display System

When CCTV is operated, the Smart Indicator displays a CCTV graphic. This prevents crime by alerting people for potential crimes in a closed space.

* CCTV Security Info Display System requires installation of CCTV (optional).

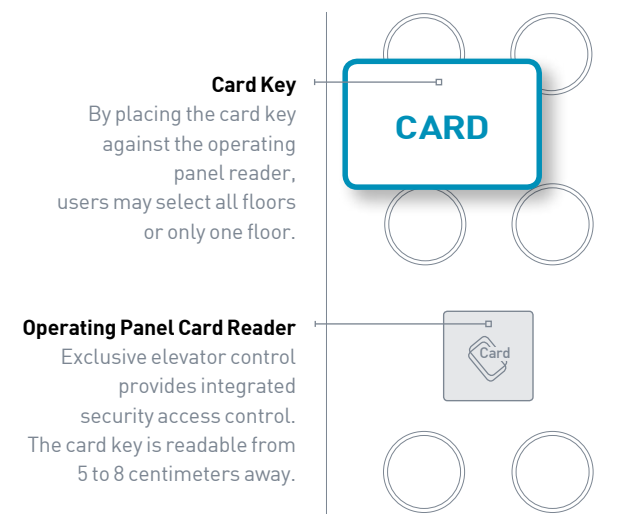


Ultrasonic Pest-Repellent Function

Colorless and odorless ultrasonic waves eradicates mosquitoes and other pests, to create a pleasant interior space, which up to now was hard to achieve due to frequent door-opening.

IBS System (Card key)

It enables effective security and crime prevention by limiting entry/exit by outsiders.



Black Box-Type CCTV

CCTV camera records all elevator activity including passengers, ensuring security control on a real-time basis.

Multi-Beam Door Safety Device

Multibeam sensor detects passenger movement and automatically opens the door, helping prevent accidents.

* Optional items are sourced by S.KOREA.

Design that blends user preferences with cutting-edge sensitivity

An elevator with a sensitive touch

Sensitive elevator that interacts with people

Hyundai Elevator places top priority on users' preferences because it considers an elevator more than a machine for moving people.

Harmonizing technology with artistry to achieve the perfect blend of beauty and comfort: this is the design philosophy behind Hyundai Elevator's YZER I.

YZER I - A



YZER I - B



YZER I - C



YZER I - D



CAR DESIGN COLLECTION

YZER I - A_{Type}



Front image

Rear image

CAR DESIGN

- Ceiling → CD198A / Aluminum (Silver), LED Lighting, LED Down Light (4EA), Ceiling Plate (Painted Steel / P021)
- Car Wall → Stainless Hairline
- Handrail → Stainless 1Pipe (1C) / Polished, Chrome Bracket
- Car Door → Stainless Hairline
- Car Operating Panel → OPP-D564 / Stainless Hairline
- Flooring → PVC (FH-13)

ENTRANCE



201 Type

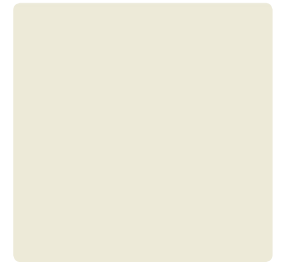
100 Type

50 Type

- 201 Type
 - Jamb → Stainless Hairline / 201Type
 - Transom Panel → Stainless Hairline
 - Door → Stainless Hairline
 - Hall Button Indicator → HPB-621
 - Indicator → PI-D700
- 100 Type
 - Jamb → Stainless Hairline / 100 Type
 - Door → Stainless Hairline
 - Hall Button → HIP-D621
- 50 Type
 - Jamb → Stainless Hairline / 50 Type
 - Door → Stainless Hairline
 - Hall Button → HIP-D621

CAR DESIGN COLLECTION

YZER I - B_{Type}



Front image

Rear image

CAR DESIGN

- Ceiling → CD199B / Stainless Hairline, LED Bar Type Module (P022), Ceiling Plate (Painted Steel / P021)
- Car Wall → Stainless Hairline, Painted Steel / P017
- Handrail → Stainless 1Pipe (1C) / Polished, Chrome Bracket
- Car Door → Painted Steel / P017
- Car Operating Panel → OPP-D564 / Stainless Hairline
- Flooring → PVC (FH-08)

ENTRANCE



201 Type

100 Type

50 Type

- | | | |
|----------|-----------------------|---------------------------------|
| 201 Type | Jamb | → Stainless Hairline / 201Type |
| | Transom Panel | → Stainless Hairline |
| | Door | → Painted Steel / P017 |
| | Hall Button Indicator | → HPB-621 → PI-D700 |
| 100 Type | Jamb | → Stainless Hairline / 100 Type |
| | Door | → Painted steel / P017 |
| | Hall Button | → HIP-D621 |
| 50 Type | Jamb | → Stainless Hairline / 50 Type |
| | Door | → Painted steel / P017 |
| | Hall Button | → HIP-D621 |

CAR DESIGN COLLECTION

YZER I-C_{Type}



Front image

Rear image

CAR DESIGN

- Ceiling → CD191A / Stainless Hairline, LED Bar Type Lighting, Ceiling Plate (Painted Steel / P024)
- Car Wall → Stainless Hairline, Stainless Hairline Etching (SE2310)
- Handrail → Stainless 1Pipe (1C) / Polished, Chrome Bracket
- Car Door → STS Hairline Etching (SE2310)
- Car Operating Panel → OPP-D564 / STS Hairline
- Flooring → PVC (FH-14)

ENTRANCE



201 Type

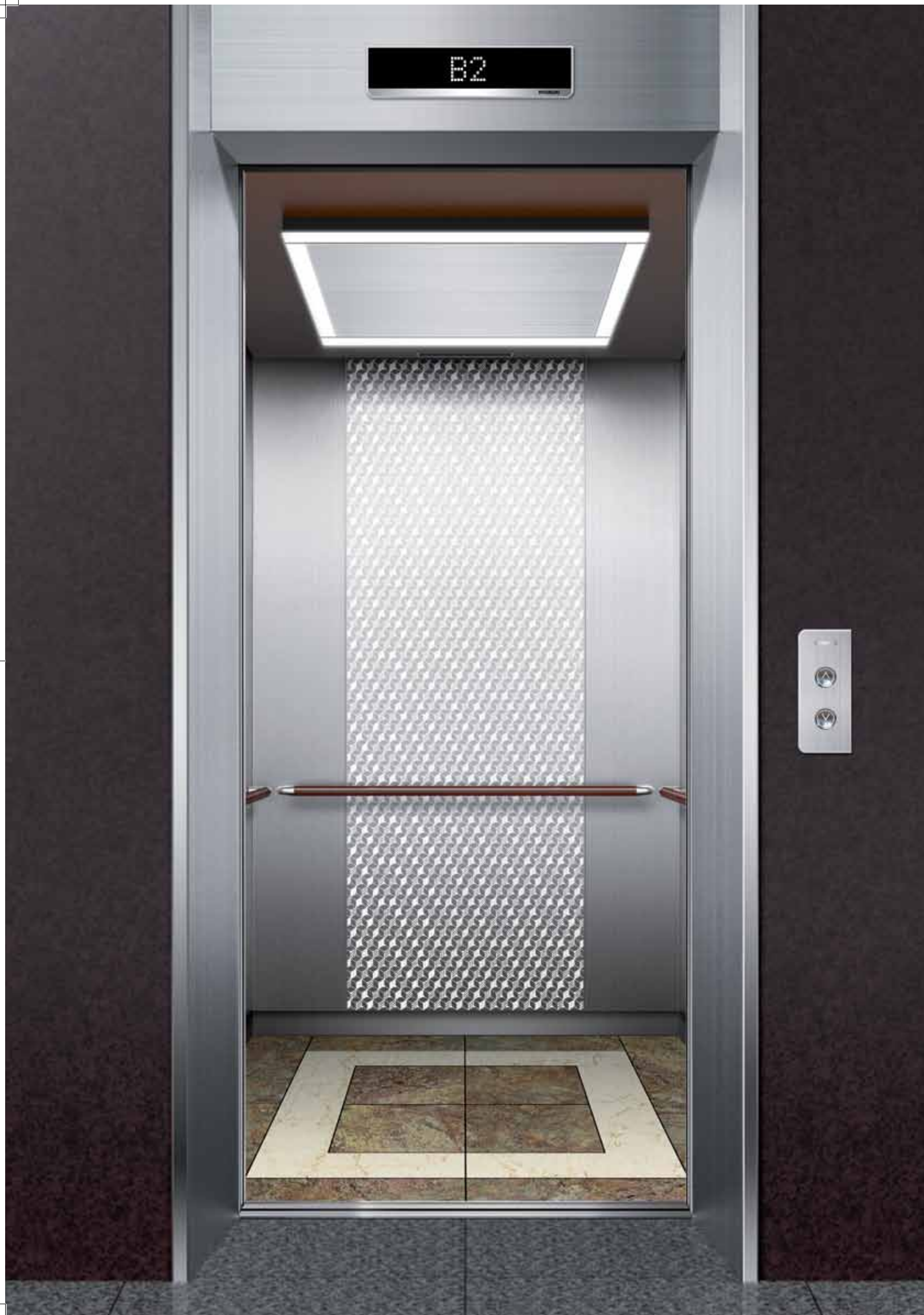
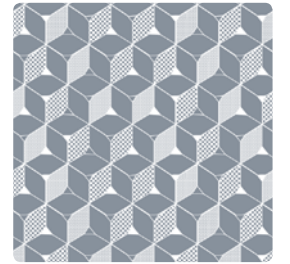
100 Type

50 Type

- | | | |
|----------|-----------------------|---------------------------------------|
| 201 Type | Jamb | → Stainless Hairline / 201Type |
| | Transom Panel | → Stainless Hairline |
| | Door | → Stainless Hairline Etching (SE2310) |
| | Hall Button Indicator | → HPB-621 → PI-D700 |
| 100 Type | Jamb | → Stainless Hairline / 100 Type |
| | Door | → Stainless Hairline Etching (SE2310) |
| | Hall Button | → HIP-D621 |
| 50 Type | Jamb | → Stainless Hairline / 50 Type |
| | Door | → Stainless Hairline Etching (SE2310) |
| | Hall Button | → HIP-D621 |

CAR DESIGN COLLECTION

YZER I - D Type



Front image

Rear image

CAR DESIGN

- Ceiling** → CD199B / Stainless Hairline, LED Bar Type Module (P022), Ceiling Plate (Painted Steel / P025)
- Car Wall** → Stainless Hairline, Stainless Hairline Etching (SE2312)
- Handrail** → 1FW (Optional) / Virus-Resistant Single Bar (Wood Pattern), Aluminum Bracket
- Car Door** → Stainless Hairline Etching (SE2312)
- Car Operating Panel** → OPP-N364 (Optional)
- Flooring** → PVC (FH-15)
- Indicator** → PI-L210 (Optional) / Smart Indicator, Anion Air Cleaner, Ultrasonic Pest Repellent

* Optional items are sourced by S.KOREA.



201 Type

100 Type

50 Type

ENTRANCE

- 201 Type**
 - Jamb** → Stainless Hairline / 201Type
 - Transom Panel** → Stainless Hairline
 - Door** → Stainless Hairline Etching (SE2312)
 - Hall Button** → HPB-A64
 - Indicator** → PI-D700
- 100 Type**
 - Jamb** → Stainless Hairline / 100 Type
 - Door** → Stainless Hairline Etching (SE2312)
 - Hall Button** → HIP-DA64
- 50 Type**
 - Jamb** → Stainless Hairline / 50 Type
 - Door** → Stainless Hairline Etching (SE2312)
 - Hall Button** → HIP-DA64

Minimal Space, Maximum Value!

In 1999, Hyundai Elevator introduced the YZER, Korea's first MRL (Machine Room Less) elevator. In 2015, the company rewrote MRL history with the introduction of the YZER II. By minimizing hoistway size, the YZER II reduces spatial needs while increasing customer value.



Enhanced Safety through the Application of International Standards

- Guaranteed safe operation by using ropes that meet international standards

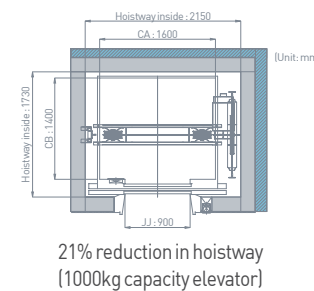
Simple Installation, Fast Delivery

- Application of rail mounting-type traction system
 - Easy to set up because beam sleeve installation at top of the hoistway is not necessary
- 20% shorter installation period
 - Not necessary to build footholds at the top and bottom of the hoistway
 - Simplified process through the use of jigs for exclusive use

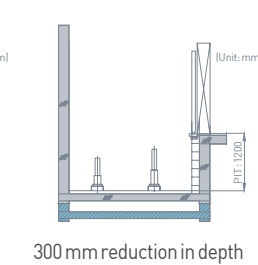


Less burden on construction design and lower construction costs

- Minimum hoistway size



- Minimum pit depth (1200 mm)



Easier maintenance and improved customer safety

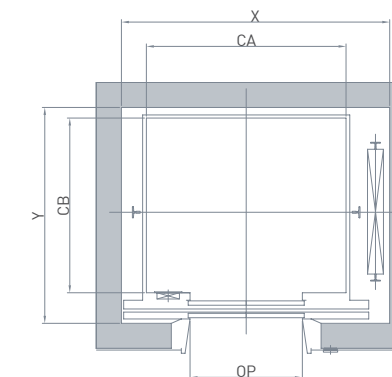
- A high-performance, eco-friendly traction machine with a proven track record
 - Oil-free traction system not requiring regular oiling of the bearing unit
 - Easier to maintain because on-site brake adjustment is not necessary
- Application of DNV, CE, TÜV and CSA-certified for system



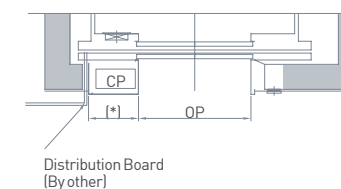
Hoistway Plan and Section

YZER I's hoistway, which exploits minimal space, is the product of extensive R&D by Hyundai Elevator's leading technical experts. Besides contributing to superior performance and riding comfort, it achieves a refined architectural design. The end result is the most efficient use of building space, lower construction costs, and easier maintenance.

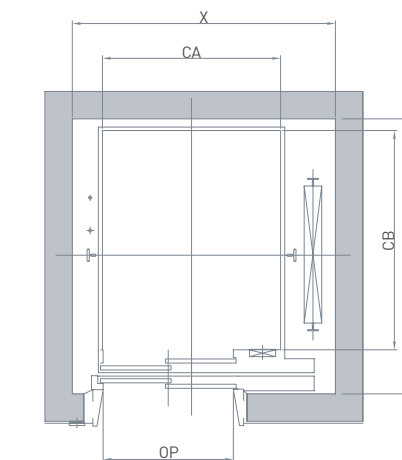
Layout of Hoistway



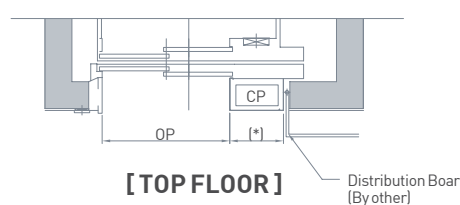
[TYPICAL FLOORS]



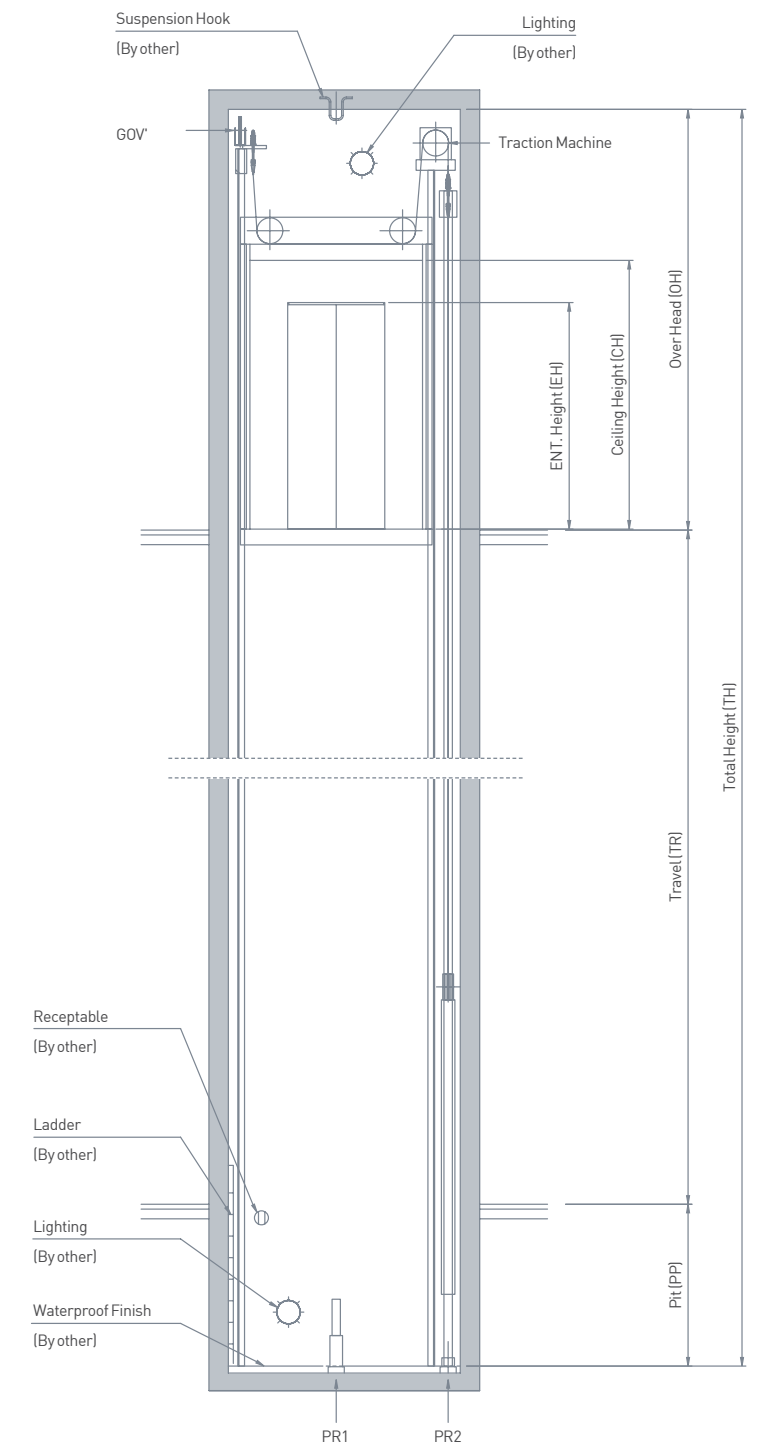
[TOP FLOOR]



[TYPICAL FLOORS]



[TOP FLOOR]



- Notes:
1. The lighting of hoistway should be installed less than 500mm from above the ceiling of hoistway and within 500mm above the bottom of the pit. (By others)
 2. Machine room temperature should be maintained below 40°C with ventilating fan and/or air conditioner (if necessary) and humidity below 90%

Technical Data

Standard Dimensions and Reactions

| | Speed (m/sec) | Capacity | | Opening Type | Clear Opening | Car Size (mm) | Hoistway Size (mm) | Control Panel Box or Inspection Box (mm) | PIT Reaction (KN) | | | | | |
|---------------------------------|--------------------|--|---|------------------------|-----------------------|---------------|--------------------|--|--------------------|-------------|---|------------------------|-----------------------|-----|
| | | Persons | Kg | | | | | | OP | CA x CB | X x Y | CP | PR1 | PR2 |
| | | | | | | | | | | | | | | |
| Center Manufacturer Standard | 1.0 1.5 1.75 | 6 7 8 9 10 12 13 15 | 450 550 630 700 800 900 1000 1150 | 2P-CO | 700 | 1100 x 1100 | 1700 x 1500 | 505 | 505 [1.0-1.5m/sec] | 55 | 47 | | | |
| | | | | | | 1100 x 1300 | 1800 x 1650 | | | 60 | 49 | | | |
| | | | | | | 1100 x 1400 | 1800 x 1750 | | | 69 | 56 | | | |
| | | | | | | 1400 x 1100 | 2000 x 1500 | | | 73 | 59 | | | |
| | | | | | | 800 | 1200 x 1400 | | | 1850 x 1750 | 77 | 61 | | |
| | | | | | | 900 | 1350 x 1400 | | | 2050 x 1750 | 84 | 68 | | |
| | | | | | | 900 | 1500 x 1400 | | | 2100 x 1750 | 95 | 75 | | |
| | | | | | | 900 | 1600 x 1400 | | | 2200 x 1750 | 108 | 86 | | |
| | | | | | | 1000 | 1800 x 1400 | | | 2400 x 1750 | | | | |
| | | | | | | 2550 x 2000 | | | | | | | | |
| | | | | | | 1000 | 1800 x 1600 | | | 2550 x 2300 | Inspection box: 500W x 330H CP: In Hoistway(1.75m/sec) | 147 | 118 | |
| | | | | | | 2750 x 2100 | | | | | 505 (1.0m/sec) | | | |
| | | | | | | 1100 | 2000 x 1700 | | | 2750 x 2400 | Inspection box: 500W x 330H CP: In Hoistway(1.5-1.75m/sec) | 157 | 128 | |
| | | | | | | 2750 x 2400 | | | | | 505 (1.0m/sec) | | | |
| | | | | | | 1100 | 1600 x 2300 | | | 2500 x 2650 | Inspection box: 130W x 420H CP: In Hoistway(1.5-1.75m/sec) | 94x2 ^{Note7} | 76x2 ^{Note7} | |
| 1200 | 2100 x 1900 | 2850 x 2550 | 505 (1.0m/sec) | | | | | | | | | | | |
| 1200 | 2200 x 2200 | 2950 x 2850 | Inspection box: 130W x 420H CP: In Hoistway(1.5-1.75m/sec) | 100x2 ^{Note7} | 80x2 ^{Note7} | | | | | | | | | |
| 33 | 2500 | | Inspection box: 130W x 420H CP: In Hoistway(1.0-1.75m/sec) | 114x2 ^{Note7} | 89x2 ^{Note7} | | | | | | | | | |
| Side Manufacturer Standard | 1.0 1.5 1.75 | 5 1.5 1.75 8 9 10 12 13 15 18 21 24 26 33 | 400 450 550 630 700 800 900 1000 1150 1350 1600 1800 2000 2500 | 2P-SO | 800 | 1000 x 1100 | 1550 x 1500 | 505 | 505 [1.0-1.5m/sec] | 52 | 45 | | | |
| | | | | | | 1100 x 1100 | 1700 x 1550 | | | 55 | 47 | | | |
| | | | | | | 1100 x 1250 | 1700 x 1650 | | | 60 | 49 | | | |
| | | | | | | 1100 x 1400 | 1700 x 1800 | | | 69 | 56 | | | |
| | | | | | | 900 | 1200 x 1400 | | | 1800 x 1800 | 73 | 59 | | |
| | | | | | | 900 | 1350 x 1400 | | | 1950 x 1800 | 77 | 61 | | |
| | | | | | | 900 | 1300 x 1600 | | | 1900 x 2000 | 84 | 68 | | |
| | | | | | | 900 | 1100 x 2100 | | | 1700 x 2500 | 95 | 75 | | |
| | | | | | | 1200 | 2100 x 1100 | | | 2700 x 1600 | 108 | 86 | | |
| | | | | | | 1000 | 1200 x 2100 | | | 1800 x 2550 | | | | |
| | | | | | | 2050 x 2750 | | | | | 505 (1.0-1.5m/sec) | | | |
| | | | | | | 1100 | 1300 x 2300 | | | 2050 x 2860 | Inspection box: 500W x 330H CP: In Hoistway(1.75m/sec) | 147 | 118 | |
| | | | | | | 2150 x 2850 | | | | | 505 (1.0m/sec) | | | |
| | | | | | | 1200 | 1400 x 2400 | | | 2150 x 2910 | Inspection box: 500W x 330H CP: In Hoistway(1.5-1.75m/sec) | 157 | 128 | |
| | | | | | | 2150 x 2910 | | | | | 505 (1.0m/sec) | | | |
| | | | | | | 1200 | 1500 x 2500 | | | 2300 x 2950 | Inspection box: 130W x 420H CP: In Hoistway(1.5-1.75m/sec) | 94x2 ^{Note7} | 76x2 ^{Note7} | |
| | | | | | | 1300 | 1600 x 2500 | | | 2400 x 2950 | 505 (1.0m/sec) | | | |
| | | | | | | 1300 | 1600 x 2500 | | | 2400 x 2950 | Inspection box: 130W x 420H CP: In Hoistway(1.5-1.75m/sec) | 100x2 ^{Note7} | 80x2 ^{Note7} | |
| | | | | | | 1400 | 1800 x 2700 | | | 2600 x 3150 | Inspection box: 130W x 420H CP: In Hoistway(1.0-1.75m/sec) | 114x2 ^{Note7} | 89x2 ^{Note7} | |

- Notes:
- The above table of dimensions as per EN81-20, Please contact us for other country codes and specific requirements.
 - The persons is calculated at 75kg per person, as required by EN81-20.
 - If need with two entrances at 180° on one shaft, please contact us.
 - In case to requested a safety gear on counterweight side, please contact us.
 - Min. Dimension of Wall Thickness+Finished at Top floor is 250mm.
 - The Hoistway dimensions width & depth are based on clear dimension ±20mm horizontal tolerances over the total hoistway height.
 - The car and counterweight of 1800kg-2500kg is Standard configuration with two buffers. Below 1800kg is one buffer.

| Overhead & Pit Depth | | | | |
|----------------------|-------------|---------------------|---------------|----------------|
| Duty Load (kg) | Speed (m/s) | Max. Travel (TR(m)) | Overhead (OH) | Pit Depth (PP) |
| 400 - 1150 | 1.0 | 50 | CH+1500 | 1200 |
| | 1.5 | 70 | CH+1600 | 1300 |
| | 1.75 | 80 | CH+1700 | 1400 |
| 1350 - 1600 | 1.0 | 50 | CH+1500 | 1300 |
| | 1.5 | 70 | CH+1600 | 1400 |
| | 1.75 | 80 | CH+1700 | 1500 |
| 1800 - 2500 | 1.0 | 45 | CH+1700 | 1400 |
| | 1.5 | 90 | CH+1830 | 1600 |
| | 1.75 | 90 | CH+1910 | 1650 |

- Notes:
- CH means the Ceiling Height which was included car internal ceiling.
 - The table dimensions are complied EN81-20.
 - To apply with the safety gear on counterweight side, OH, PIT should be increased. Please contact us.
 - If apply the trap door at car top, OH shall be increased 200-400mm.

Works to Be Done by Others

The following construction and electrical works are not included in the elevator contract and shall be performed by others.

Building Work

• Hoistway

- Drilling holes in the walls near the elevator entrance on each floor (for the entrance, hall button, hall lantern, etc.) and wall & floor-finish work after elevator installation (including mortar grouting)
- Installation of steel reinforcement to fix jambs on the left and right sides of the entrance
- Installation of ladder for pit inspection
- Finish work after waterproofing of the inside of pit and mounting of the buffer
- Supply and installation of hoistway enclosure or separating beam materials (when necessary)
- Construction of concrete or beam-structured hoistway walls (at least 150 mm thick) where rail brackets can be fixed
- Removal of wedge pins and molds from, and cleaning of, hoistway walls
- Provision of space (at no cost) where construction equipment and materials can be stored
- Destruction of concrete structures which are inconsistent with design plans and necessary finish work
- Installation of lighting fixtures in the hoistway (minimum 100 lux lights to be installed at top and bottom of the hoistway)
- Hoisting beam or hook installation to lift machines to the top of hoistway ceiling
- Miscellaneous (as indicated in drawings)

Electrical Work

• Hoistway

- Electrical outlet wiring
- Piping and wiring for electric wires from the monitoring system to the hoistway if such a system is set up
- Piping and wiring for electric wires if a CCTV is installed
- Miscellaneous (as indicated in drawings)
- Power and lighting wiring for the power supply in the hoistway (For installed power capacity, please see drawings for power system construction to be done by other contractors.)
- Installation of a power distribution box including N.F.B. in the electrical room for elevator use (It shall be installed near the hoistway. For installed power capacity, please see drawings for power system construction to be done by other contractors.)
- Power system construction that maintains the line voltage fluctuation of a power-distribution source and a light within the range of +5% to -10% and with in ±2% respectively
- Piping and wiring for outlets used for pit inspection lighting
- Power supply for construction and test operation during installation (at no cost)
- Piping and wiring for an emergency call apparatus between the elevator control unit and the central control room/security office (electric wire specifications: per elevator unit; UTP 0.5 mm x 2P)

* If a steel frame-structured hoistway is set up, please contact us for hoistway planning and other details.

Power Supply Plan

[380V]

| Load (kg) | Speed (m/s) | Motor Capacity (kW) | MCCB Capacity of Building (A) | | Power Supply Capacity (kVA) | | Power Cable Size (mm ²) | | Earth Wire Size (mm ²) | | Starting Power (kVA/car) |
|-----------|-------------|---------------------|-------------------------------|--------|-----------------------------|--------|-------------------------------------|--------|------------------------------------|--------|--------------------------|
| | | | 1 Car | 2 Cars | 1 Car | 2 Cars | 1 Car | 2 Cars | 1 Car | 2 Cars | |
| 400 | 1.0 | 2.7 | 20 | 40 | 7.2 | 15 | 4 | 10 | 6 | 10 | 12 |
| 450 | 1.0 | 3.0 | 20 | 40 | 7.5 | 15 | 4 | 10 | 6 | 10 | 12 |
| 550 | 1.0 | 3.7 | 32 | 75 | 8.2 | 17 | 4 | 10 | 6 | 10 | 14 |
| 630 | 1.0 | 4.2 | 32 | 75 | 8.7 | 17 | 4 | 10 | 6 | 10 | 18 |
| | 1.5 | 6.3 | 40 | 75 | 10.8 | 22 | 6 | 16 | 6 | 10 | 30 |
| | 1.75 | 7.4 | 40 | 75 | 13.0 | 26 | 6 | 16 | 6 | 10 | 30 |
| 700 | 1.0 | 4.7 | 32 | 75 | 9.2 | 19 | 4 | 10 | 6 | 10 | 18 |
| | 1.5 | 7.0 | 40 | 75 | 11.5 | 22 | 6 | 16 | 6 | 10 | 30 |
| | 1.75 | 8.3 | 40 | 75 | 13.9 | 28 | 6 | 16 | 6 | 10 | 30 |
| 800 | 1.0 | 5.3 | 32 | 75 | 9.8 | 20 | 4 | 10 | 6 | 10 | 18 |
| | 1.5 | 8.0 | 40 | 75 | 12.5 | 25 | 6 | 16 | 6 | 10 | 30 |
| | 1.75 | 9.4 | 40 | 75 | 14.9 | 30 | 6 | 16 | 6 | 10 | 30 |
| 900 | 1.0 | 6.1 | 32 | 75 | 10.6 | 23 | 4 | 10 | 6 | 10 | 24 |
| | 1.5 | 9.0 | 40 | 75 | 14.0 | 28 | 10 | 25 | 6 | 10 | 42 |
| | 1.75 | 10.6 | 50 | 100 | 16.1 | 35 | 10 | 25 | 6 | 10 | 42 |
| 1000 | 1.0 | 6.7 | 32 | 75 | 11.2 | 23 | 4 | 10 | 6 | 10 | 24 |
| | 1.5 | 10.0 | 50 | 100 | 15.0 | 30 | 10 | 25 | 6 | 10 | 42 |
| | 1.75 | 11.7 | 50 | 100 | 17.2 | 36 | 10 | 25 | 6 | 10 | 42 |
| 1150 | 1.0 | 7.7 | 40 | 75 | 12.2 | 25 | 4 | 10 | 6 | 10 | 28 |
| | 1.5 | 11.5 | 50 | 100 | 20.0 | 40 | 10 | 25 | 6 | 16 | 48 |
| | 1.75 | 12.3 | 50 | 100 | 20.0 | 40 | 10 | 25 | 6 | 16 | 48 |
| 1350 | 1.0 | 9.2 | 50 | 100 | 13.7 | 30 | 4 | 10 | 6 | 10 | 28 |
| | 1.5 | 13.8 | 50 | 100 | 22.3 | 45 | 10 | 25 | 6 | 16 | 48 |
| | 1.75 | 16.1 | 70 | 150 | 23.8 | 50 | 10 | 25 | 6 | 16 | 48 |
| 1600 | 1.0 | 10.8 | 50 | 100 | 15.3 | 34 | 4 | 10 | 6 | 10 | 28 |
| | 1.5 | 16.3 | 75 | 150 | 24.8 | 50 | 10 | 25 | 6 | 16 | 48 |
| | 1.75 | 19.0 | 75 | 150 | 26.7 | 55 | 10 | 25 | 6 | 16 | 48 |
| 1800 | 1.0 | 12.1 | 40 | 100 | 15 | 27 | 10 | 25 | 10 | 25 | 30 |
| | 1.5 | 18.1 | 75 | 150 | 22 | 39 | 16 | 35 | 16 | 35 | 44 |
| | 1.75 | 21.1 | 75 | 150 | 25 | 45 | 16 | 35 | 16 | 35 | 50 |
| 2000 | 1.0 | 13.4 | 40 | 100 | 16 | 30 | 10 | 25 | 10 | 25 | 32 |
| | 1.5 | 20.1 | 75 | 150 | 24 | 43 | 16 | 35 | 16 | 35 | 48 |
| | 1.75 | 23.4 | 75 | 150 | 27 | 50 | 25 | 35 | 16 | 35 | 54 |
| 2500 | 1.0 | 16.7 | 50 | 100 | 20 | 36 | 16 | 35 | 16 | 35 | 40 |
| | 1.5 | 25.1 | 75 | 150 | 29 | 53 | 25 | 35 | 16 | 35 | 58 |
| | 1.75 | 29.3 | 75 | 150 | 34 | 62 | 25 | 35 | 16 | 35 | 68 |

* If requested 1.5 or 1.75m/s for 400-550kg, Please applied the data of 630kg to below above table



GLOBAL SALES & SERVICE NETWORK

AFRICA

GHANA
Tel : 233-243-822-222
E-Mail : tawayda@altraelectricals.com

TANZANIA
Tel : 255-754-281-580
E-Mail : armjerry2016@gmail.com

ALGERIA
Tel : 21-323-48-50-47
E-Mail : sales@ee-e.co

EGYPT
Tel : 20-2-25078503
E-mail : overseas@et-hyundailevator.com

ETHIOPIA
Tel : 251-118-605051
E-mail : iethiopia1@gmail.com

KENYA
Tel : 254-722-523-695
E-mail : pslyall@skymaxenterprise.com

NIGERIA
Tel : 234-803-7352222
E-mail : nicolas@orionelevators.com

REPUBLIC OF SOUTH AFRICA
Tel : 27-87-150-3550
E-mail : info@munaca.co.za

SUDAN
Tel : 249-912-392-448
E-Mail : waleed.dafo@danfodio.sd

TUNISIA
Tel : 216-71-962-967
E-mail : ideal.commerciale@gmail.com

ASIA

BANGLADESH
Tel : 880-171-320-9212
E-mail : zahid@edgeworksbd.com

CAMBODIA
Tel : 855-2388-8399
E-mail : project@ggear.com.kh

CHINA
[Head Office (Factory)]
Tel : 86-21-6485-8600
E-mail : yh.yuk@hdel.co.kr

INDIA
Tel : 91-97300-65177
E-mail : sdeshmukh@kinetic-hyundai.com

INDONESIA
[New Equipment]
Tel : 62-21-631-8444
E-mail : sugiono_nusolim@yahoo.com

[Service]
Tel : 62-21-3511-355
E-mail : info@helin.co.id

MALAYSIA
Tel : 603-6733-1919
E-mail : brian.lee@hem.com.my

MONGOLIA
Tel : 976-8908-3055
E-mail : batchutuun@hyundai-elevator.mn

MYANMAR
Tel : 959-400444598
E-mail : info@integral-ltd.com

NEPAL
Tel : 977-1-4111780
E-mail : kishor.adh@gmail.com

PAKISTAN
Tel : 92-21-3432-0601
E-mail : iitcpk@gmail.com

PHILIPPINES

Tel : 632-716-0905
E-mail : sales@hyundailevator.ph

SRI LANKA
Tel : 94-11-2623208
E-mail : wasantha@abansgroup.com

THAILAND
Tel : 66-2348-8787
E-mail : narongth@loxley.co.th

VIETNAM
Tel : 84-04-62822978
E-mail : sb.park@hdel.co.kr

EUROPE & CIS

ARMENIA
Tel : 374-060-50-90-70
E-mail : is@fd-motors.am

AZERBAIJAN
Tel : 994-12-555-1744-46
E-mail : office@astexnika.com

HUNGARY
Tel : 36-46-505-938
E-mail : info@miskolc-lift.hu

KAZAKHSTAN
Tel : 7-778-777-7570
E-mail : zarina@hdel.kz

KYRGYZSTAN
Tel : 996-559-918-885
E-mail : sales@hyundailift.kg

POLAND
Tel : 48-61-820-8551
E-mail : maciej.dziurkiewicz@omitifts.com

TURKEY
Tel : 90-538-097-5451
E-mail : kb.yum@hdel.co.kr

RUSSIA

[Moscow]
Tel : 7-495-668-07-15
E-mail : msk@dvc.ru

[Vladivostok]
Tel : 7-423-220-51-16
E-mail : hyundai@dvc.ru

MIDDLE EAST

BAHRAIN
Tel : 973-17-702-468
E-mail : elevators@nassgroup.com

IRAN
Tel : 98-21-8869-8727-36
E-mail : jafari_hyundai2015@yahoo.com

IRAQ
Tel : 964-780-199-7822
E-mail : info@alarjoon.com

ISRAEL
Tel : 972-3-9630000
E-mail : igor@deico.com

JORDAN
Tel : 962-79-5526-713
E-mail : maadbeiseo55@gmail.com

KUWAIT
Tel : 965-2245-7925 - Ext. 118/0
E-mail : info@dealgtc.com

OMAN

Tel : 968-9936-9663
E-mail : techno.hyundai@gmail.com

QATAR
Tel : 974-436-6689
E-mail : hmh_eltiwa@yahoo.com

SAUDI ARABIA
Tel : 966-12-6683555
E-mail : waqqas@nsc-ksa.com

UAE

Tel : 971-4-2944-475
E-mail : dubai@bhnoe-hyundai.com

YEMEN
Tel : 967-1-450556
E-mail : hyundai.yemen@gmail.com

NORTH/SOUTH AMERICA

ARGENTINA
Tel : 5411-3220-2878
E-mail : ogueta.n@gmail.com

BRAZIL
[Head office]
Tel : 55-51-8913-6975
E-mail : tg.shin@hdel.co.kr

[Sao Paulo (Sales office)]
Tel : 55-11-99894-2567
E-mail : js.an@hdel.co.kr

CHILE
Tel : 569-225540849
E-mail : lcd@cyce.cl

COLOMBIA
Tel : 57-4-444-9297
E-mail : sgiraldosolucionesverticales.com.co

COSTA RICA
Tel : 506-7013-4407
E-mail : cc.elevatec@grupomisol.com

CUBA
Tel : 537-2042046
E-mail : mirna@nenea.co.cu

DOMINICAN REPUBLIC
Tel : 809-566-7474
E-mail : cesar@eleva.com.do

ECUADOR

Tel : 593-2254-2831
E-mail : hyundai@a-i.com.ec

GUATEMALA
Tel : 502-5018-1868
E-mail : cd.elevatec@grupomisol.com

MEXICO

Tel : 52-55-5663-2019
E-mail : yurich@insertechmx.com

PANAMA
Tel : 507-388-6610
E-mail : jbatista@elevadoresdelistmo.com

VENEZUELA

Tel : 58-212-232-8263
E-mail : ojssimon@gmail.com

PERU
Tel : 51-988-488-425
E-mail : cd.elevatec@grupomisol.com

EL SALVADOR

Tel : 503-2261-1549
E-mail : jarom.cruz@grupomisol.com

HONDURAS
Tel : 504-2564-6150 / 504-2231-3302
E-mail : jarom.cruz@grupomisol.com

NICARAGUA

Tel : 505-2223-5217
E-mail : bb.elevatec@grupomisol.com

HEAD OFFICE & FACTORY

2091, Gyeongchungdero, Bubal-eup, Icheon-si, Gyeonggi-do, 17336, Korea

SEOUL OFFICE (GLOBAL SALES DIV.)

5F, East Bldg., Hyundai Group Bldg., 194, Youlgok-ro, Jongno-gu, Seoul, 03127, Korea
tel 82. 2. 3670. 0668